

Tii 169F Series

Fiber Interface Device

Provides Demarcation Point
Between Outdoor Fiber Drop and
Customer Premise Cable

Terminates Up to Four Single
Fiber Cables

Compact, Craft-Friendly Enclosure

Adapter Plate Designed for
Optimal Bend Radius of Stored
Fiber Cable

Includes Tie Down Feature for
Proper Strain Relief of Customer
Premise Cable

Fiber Adapter Plate Snaps Easily
Into the Tii 169 Enclosure

Rugged Plastic Housing for Indoor
or Outdoor Applications



Tii 169F

The Tii 169F Fiber Interface Device (FID) is a compact enclosure which is designed to provide a demarcation and transition point between fiber drop cable and the customer premise fiber cable. Designed as an adapter plate for the Tii 169 Sealed Wire Terminal Enclosure, the unit can be factory installed with industry standard single, dual or quad fiber coupler(s). The internal fiber routing system allows for proper bend radius and slack storage of bend insensitive fiber.

KEY PRODUCT BENEFITS

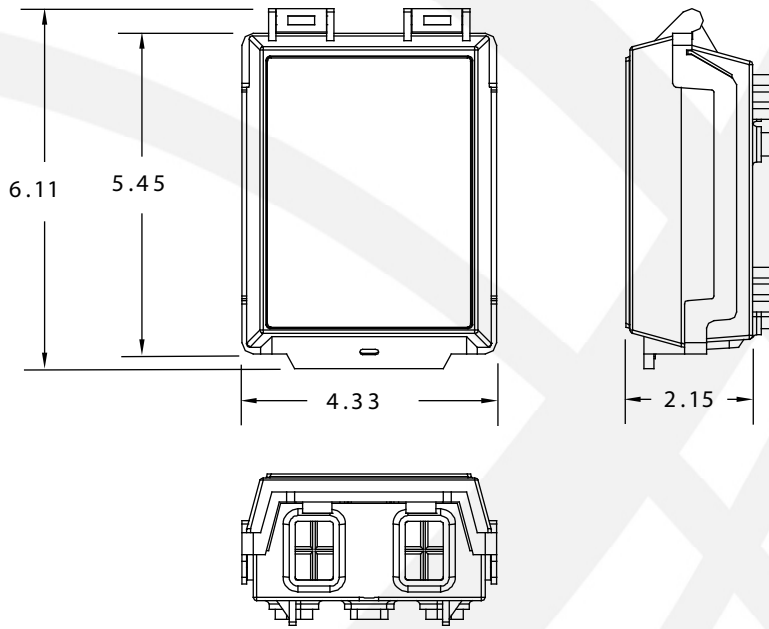
- ▶ Modular adapter plate snaps easily into existing Tii 169 Sealed Wire Terminal Enclosure.
- ▶ Compact unit can terminate and store up to four single fiber cable drops.
- ▶ One, two, or four SC-APC, SC-UPC, FC-APC, FC-UPC adapters for OSP to customer fiber transition.
- ▶ Unique design allows for proper bend radius and strain relief of fiber cable.
- ▶ The Tii 169F features patented scalloped sides designed to provide easy internal access to the enclosure.
- ▶ Compact, low profile design for applications where space is limited.



tii network technologies

141 Rodeo Drive
Edgewood, NY 11717
T. 631. 789.5000
Toll Free 888.844.4720
F. 631. 789.5063
sales@tiinettech.com

169F Series



Dimensions are in Inches

ORDERING INFORMATION

Model Number Matrix

169F	- XX	- XX
	Connector Type	No. of Connectors
	01 = SC - APC	01 = 1
	02 = SC - UPC	01D = 1-Duplex
	03 = FC - APC	03 = 2
	04 = FC - UPC	04 = 4