

## Tii 506F

### *Fiber Interface Device/ Slack Storage Unit*

Equipped with Drop and OSP  
Fiber Slack Storage and SC to SC  
Bulkhead Adapters

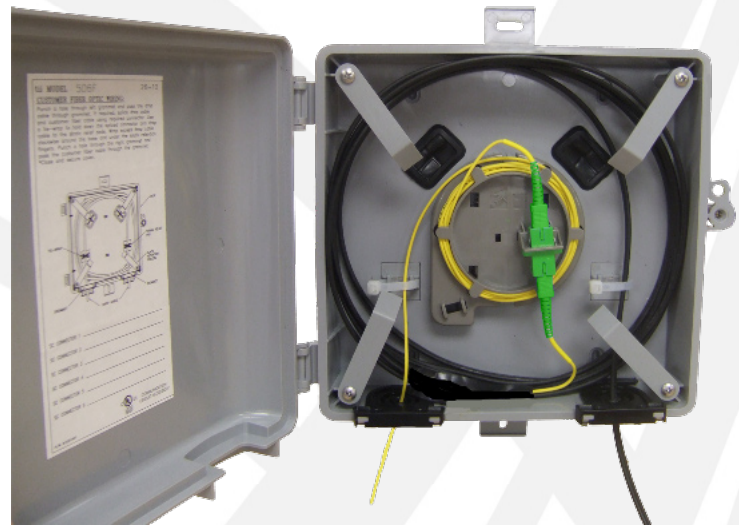
Rugged Plastic Housing with  
Separate Entry Points for OSP  
Fiber and Customer Fiber

Easy Installation

Compact, Craft-Friendly Design

Allows for Fiber Slack Storage Up  
to 75'

Meets GR-771 Requirements



**Tii 506F**

The Tii 506F Fiber Interface Device/Slack Storage Unit is a compact unit which features SC to SC connectivity between the OSP fiber drop and customer fiber drop, as well as slack storage. The 506F is configurable for single, dual, quad, and six fiber terminations. The unit is available without SC couplers for slack storage applications and is able to store up to 75' of fiber.

#### KEY PRODUCT BENEFITS

- ▶ Provides SC demarcation point between outdoor fiber drop and customer premise fiber.
- ▶ Constructed of superior materials capable of withstanding harsh outdoor environments, including UV degradation, chemical exposure, and extreme temperatures.
- ▶ Designed for bend sensitive fiber installations with up to 3 inch bend radius.
- ▶ Corner slack retention features retain "springy" OSP and bend sensitive fiber.
- ▶ Entry grommets accept up to 1 inch conduit with provision for tie wrap retention.
- ▶ 2X internal tie down features for proper strain relief of fiber cables.
- ▶ Knockouts on back provide alternate entry scheme for fiber mini duct tubing.
- ▶ Hinged cover fits securely on the base to provide maximum protection against environmental conditions and intrusion of foreign matter, protecting sensitive fiber connectivity.
- ▶ Cover closes securely with 3/8" hex head bolt and has a provision for a tie-wrap.

#### INDUSTRY STANDARDS

- ▶ Meets GR-771 Requirements

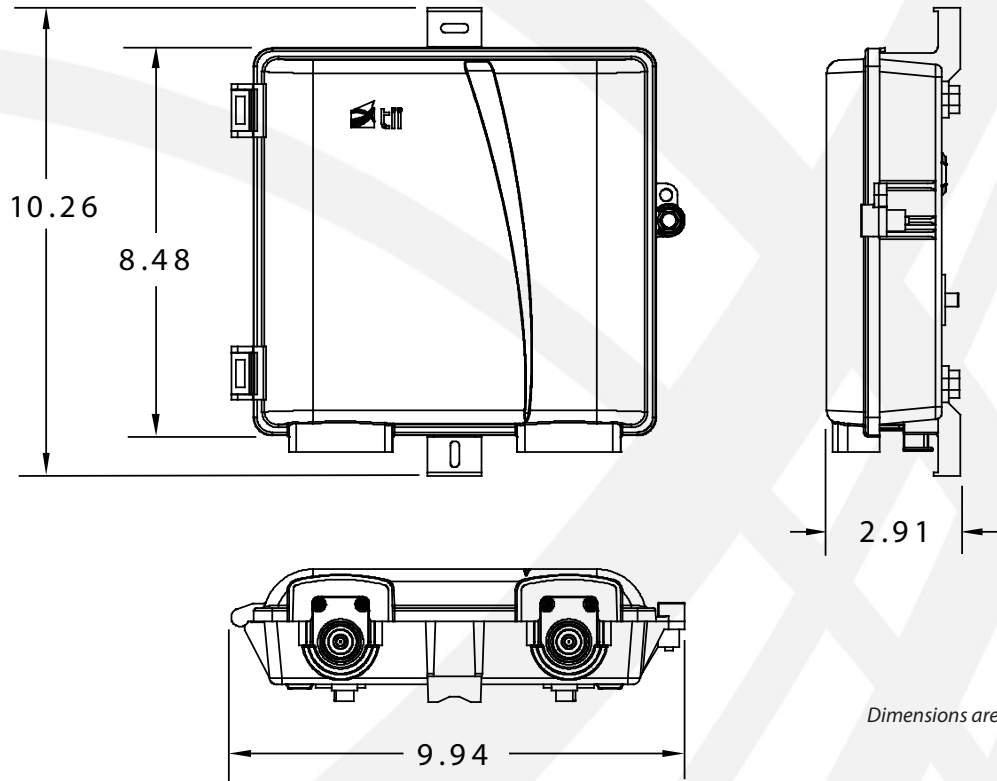


tii network technologies

141 Rodeo Drive  
Edgewood, NY 11717  
T. 631.789.5000  
Toll Free 888.844.4720  
F. 631.789.5063  
sales@tiinetworktechnologies.com

[www.tiinetworktechnologies.com](http://www.tiinetworktechnologies.com)

# Tii 506F



*Dimensions are in Inches*

## ORDERING INFORMATION Model Number Matrix

506F	-XX	-XX	-XX
	Adapter Plate	Connector Type	# of Connectors
	01 = Fiber Plate (1,2, or 4 connectors only)*	01 = SC-APC	01 = 1
	02 = Fiber Plate (6 Connectors)	02 = SC-UPC	02 = 2
	03 = 1.5" Fiber Storage Tray	03 = FC-APC	03 = N/A
	04 = Fiber Plate (12 Connectors)	04 = FC-UPC	04 = 4
			06 = 6
			12 = 12

\* Can be sold individually in packages of 50 per carton (Model #: FP01-01-01)