

Tii 168 Series

Outdoor Sealed Wire Terminal Enclosure

For Indoor or Outdoor Locations

Designed for Digital Voice Applications

Termination Block Equipped with Integral Sealed Test Points

Termination Block Utilizes Tii's Gel-Sealed IDC Tool-Less Rocker Design

Available in Multiple Configurations



Tii 168-00-00

The Tii 168 Series Outdoor Sealed Wire Terminal Enclosure accommodates the Tii 68 Series Sealed Wire Terminal. The 68 Series is designed for applications requiring more than one parallel connection to a single or two pair service. This product is an ideal fit for digital voice networks.

KEY PRODUCT BENEFITS

- ▶ The enclosure is molded of temperature and humidity-resistant thermoplastic, which resists cracking, crazing, and discoloration.
- ▶ The cover interlocks with the base to protect the contents from any foreign matter.
- ▶ The Tii 168 features scalloped sides designed to provide easy internal access.
- ▶ Each enclosure has two wire entrance grommets and a snap-fit hinged cover with provisions for a tie wrap along with mounting holes for wall or pole mounting.
- ▶ Compact, low profile design fits into applications where space is limited.
- ▶ Optional termination block configurations provide interface for home security systems.

INDUSTRY STANDARDS

- ▶ Listed to cUL and UL 1863.

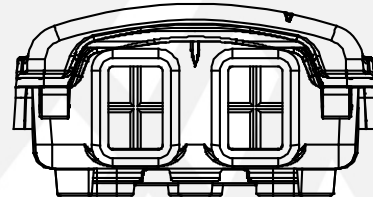
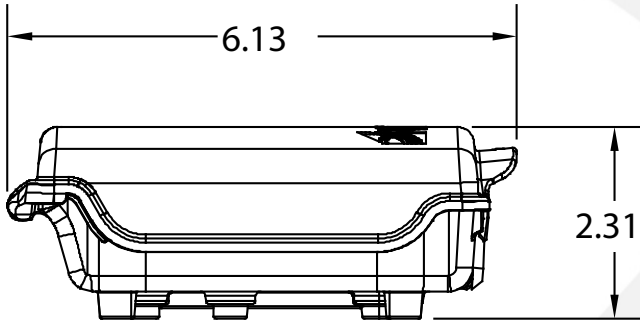
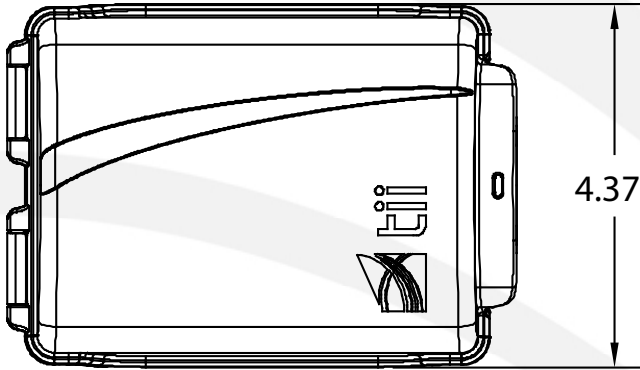


tii network technologies

141 Rodeo Drive
Edgewood, NY 11717
T. 631.789.5000
Toll Free 888.844.4720
F. 631.789.5063
sales@tiinettech.com

www.tiinettech.com

Tii 168 Series



Dimensions are in Inches

ORDERING INFORMATION Model Number Matrix

168	- XX	- XX
	Position 1 Upper	Position 2 Lower
	00 = no block	00 = no block
	01 = 67M-1	01 = 67M-1
	02 = 68M-1*	06 = 69M-1
	03 = 68M-2*	07 = 69M-2
	04 = 68M-2S*	08 = 69M-2S
	05 = 68M-2S-4*	09 = SVMWT
	06 = 69M-1	
	07 = 69M-2	
	08 = 69M-2S	

Standard Package: 20 pieces

Weight: 0.55 lbs. each

* These components fit into Position 1 only and must be configured as stand alone components.