

Tii EP-IL45

Ethernet Surge Protector

In-Line Surge Protection for High-Speed Ethernet Circuits

Low Capacitance Solid State Protection Elements

Includes Terminal for Grounding Connections

Low Voltage Balanced Solid State Surge Protection

Modular Design for Easy Connection to the Ethernet Network

Listed to UL 497B



Tii EP-IL45

Tii EP-IL45 is an in-line ethernet surge protector module specifically designed for high-speed data networks. The low capacitance balanced solid state surge protection elements provide superior surge protection. The circuit utilizes high energy absorbing solid state surge protection elements.

KEY PRODUCT BENEFITS

- ▶ Modular design with RJ-45 connectors provides a seamless connection to networks.
- ▶ Grounding terminal hole provides necessary means for connecting protectors ground to approved ground.
- ▶ Low capacitance solid state balanced surge protection provides superior low clamp voltage surge protection.

INDUSTRY STANDARDS

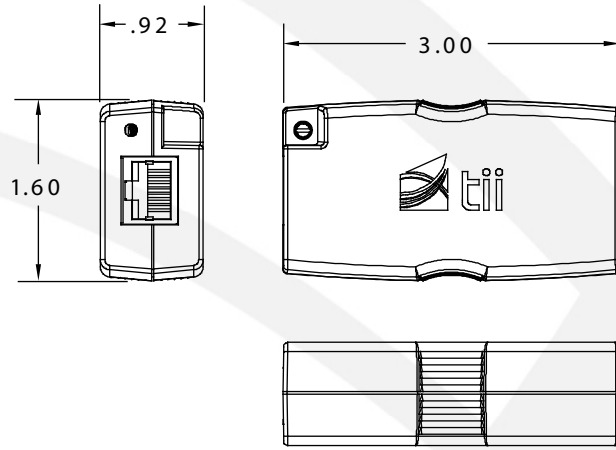
- ▶ UL 497B, Protection elements comply to IEC 61000-4 requirements.



tii network technologies

141 Rodeo Drive
Edgewood, NY 11717
T. 631. 789.5000
Toll Free 888.844.4720
F. 631. 789.5063
sales@tiinettech.com

Tii EP-IL45



Dimensions are in Inches

SPECIFICATIONS

Maximum Clamping Voltage (8/20MS)	20.0 Volts
Minimum Clamping Voltage	6.8 Volts
Capacitance between I/O pins @ 1MHz	8 pF typical
Capacitance between I/O pin to ground @ 1MHz	16pF
Peak Pulse Power (8/20MS)	2000 watts
Storage/Operating Temperature	-55° - 85°C
Input to Output Resistance	< 1 ohm

ORDERING INFORMATION

Model No.	Description
EP-IL45	Ethernet Surge Protector